

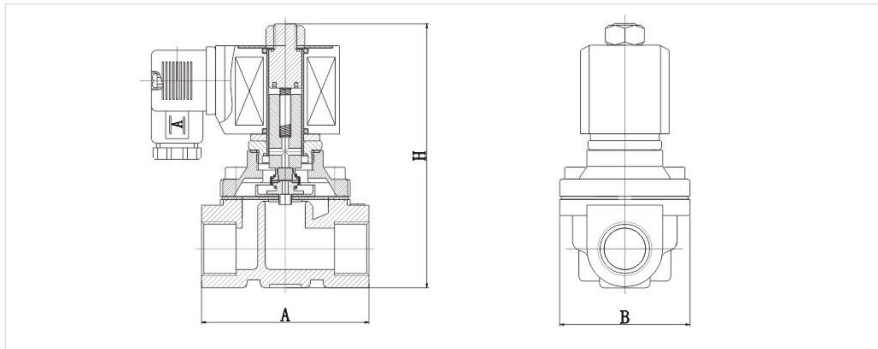
Sanlixin Solenoid Valve

ZS 2/2-Way Large diameter Direct Acting Solenoid Valve · Normally Closed

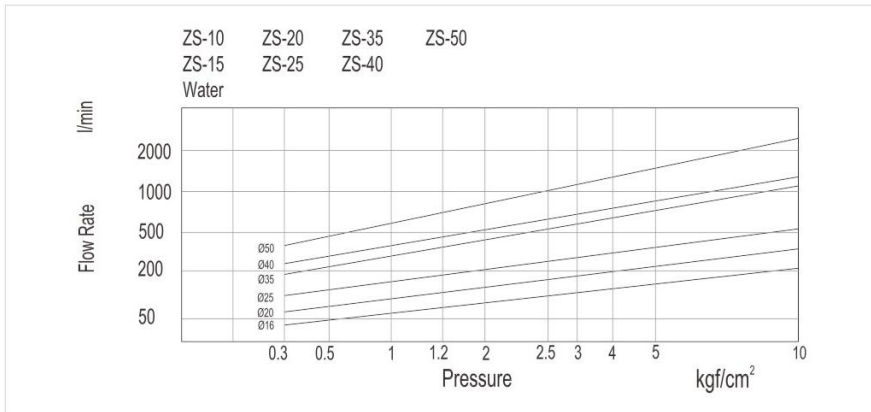
- 1: 2-Way normally closed solenoid valve, Closed when de-energized, open when energized.
- 2: Serialized products, small in size, large flow rate, widely use
- 3: Body material: forged brass, cast brass (for orifice $\Phi 32$ 、40、50 only)
- 4: Ambient Temp. $0^{\circ}\text{C}\sim 65^{\circ}\text{C}$, Fluids Temp: $0^{\circ}\text{C}\sim 120^{\circ}\text{C}$.
- 5: Flow as the arrow, mounts in any position; Best position is Solenoid vertical and upright direction.
- 6: Voltage: 220VAC/230VAC/240VAC/110VAC/24VAC 50/60HZ 24VDC/12VDC;
Voltage Tolerance: +10% to -10% applicable voltage
- 7: Coil can fix Germany Nass Coil, for orifice under $\phi 16\sim 25\text{mm}$ only.
- 8: This series valves are offered NBR、VITON、EPDM etc for Seals and diaphragm to provide on-off control of various fluids.
- 9: Coil can fix SM Coil below DN25. AC 220V/AC110V/AC24V/DC24V



External Dimensions Chart



Flow Chart



ZS 2/2-Way Large diameter Direct Acting Solenoid Valve · Normally Closed

Valve Selection List

Pipe Conn-ection	Orifice mm	CV Factor	Operating pressure differential (kgf/cm ²)						Max. Fluids Temp.	Coil F Class Type	Power consumption		External Dimensions Length x Width x Height L x B x H	Model Code Follows Voltage are 220VAC 50/60HZ	Weight (KG)	
			Min.	Max.							VA AC 220 V	W DC 24 V				
				Air Gas		Water Hot water Liquids		Light oil ≤20CST								
				AC	DC	AC	DC	AC								DC
3/8"	16	4.8	0	10	6	10	6	7	4	80	D	20	20	69×57×106	ZS1DF02N1C16	0.9
	16	4.8	0	10	6	10	6			120	D	20	20	69×57×106	ZS1DF02E1C16	0.9
	16	4.8	0	10	6	10	6	7	4	120	D	20	20	69×57×106	ZS1DF02V1C16	0.9
	16	4.8	0			3	3			120	D	20	20	69×57×106	ZS1DF02G1C16	0.9
1/2"	16	4.8	0	10	6	10	6	7	4	80	D	20	20	69×57×106	ZS1DF02N1D16	0.9
	16	4.8	0	10	6	10	6			120	D	20	20	69×57×106	ZS1DF02E1D16	0.9
	16	4.8	0	10	6	10	6	7	4	120	D	20	20	69×57×106	ZS1DF02V1D16	0.9
	16	4.8	0			3	3			120	D	20	20	69×57×106	ZS1DF02G1D16	0.9
3/4"	20	7.6	0	10	6	10	6	7	4	80	D	20	20	73×57×114	ZS1DF02N1E20	1.08
	20	7.6	0	10	6	10	6			120	D	20	20	73×57×114	ZS1DF02E1E20	1.08
	20	7.6	0	10	6	10	6	7	4	120	D	20	20	73×57×114	ZS1DF02V1E20	1.08
	20	7.6	0			3	3			120	D	20	20	73×57×114	ZS1DF02G1E20	1.08
1"	25	12	0	10	6	10	6	7	4	80	D	20	20	99×77×121	ZS1DF02N1G25	1.4
	25	12	0	10	6	10	6			120	D	20	20	99×77×121	ZS1DF02E1G25	1.4
	25	12	0	10	6	10	6	7	4	120	D	20	20	99×77×121	ZS1DF02V1G25	1.4
	25	12	0			3	3			120	D	20	20	99×77×121	ZS1DF02G1G25	1.4
1 1/4"	32	24	0	10	6	10	6	7	4	80	D	57	45	112×86.5×150	ZS1DF02N2H32	2.5
	32	24	0	10	6	10	6			120	D	57	45	112×86.5×150	ZS1DF02E2H32	2.5
	32	24	0	10	6	10	6	7	4	120	D	57	45	112×86.5×150	ZS1DF02V2H32	2.5
	32	24	0	10	6	10	6	7	4	80	D	57	45	112×86.5×150	ZS1DF02N1H32	2.7
	32	24	0	10	6	10	6			120	D	57	45	112×86.5×150	ZS1DF02E1H32	2.7
	32	24	0	10	6	10	6	7	4	120	D	57	45	112×86.5×150	ZS1DF02V1H32	2.7
1 1/2"	40	29	0	10	6	10	6	7	4	80	D	57	45	123×94×160	ZS1DF02N2J40	2.9
	40	29	0	10	6	10	6			120	D	57	45	123×94×160	ZS1DF02E2J40	2.9
	40	29	0	10	6	10	6	7	4	120	D	57	45	123×94×160	ZS1DF02V2J40	2.9
	40	29	0	10	6	10	6	7	4	80	D	57	45	123×94×160	ZS1DF02N1J40	3.2
	40	29	0	10	6	10	6			120	D	57	45	123×94×160	ZS1DF02E1J40	3.2
	40	29	0	10	6	10	6	7	4	120	D	57	45	123×94×160	ZS1DF02V1J40	3.2
2"	50	48	0	10	6	10	6	7	4	80	D	57	45	168×123×183	ZS1DF02N2K50	5.2
	50	48	0	10	6	10	6			120	D	57	45	168×123×183	ZS1DF02E2K50	5.2
	50	48	0	10	6	10	6	7	4	120	D	57	45	168×123×183	ZS1DF02V2K50	5.2
	50	48	0	10	6	10	6	7	4	80	D	57	45	168×123×183	ZS1DF02N1K50	5.4
	50	48	0	10	6	10	6			120	D	57	45	168×123×183	ZS1DF02E1K50	5.4
	50	48	0	10	6	10	6	7	4	120	D	57	45	168×123×183	ZS1DF02V1K50	5.4

Sanlixin Solenoid Valve

ZS Plastic Series 2/2-Way Zero Press Differential Solenoid Valve · Normally Closed

- 1: 2-Way normally closed solenoids valve.
- 2: Closed when de-energized, open when energized
- 3: Body material: Nylon(PA6)
- 4: Max pressure: 10bar Ambient temp 0-65°C
- 5: Serialized products, small in size, large flow rate
- 6: Voltage:AC 220V/230V/240V/110V/24V/12V
- 7: Voltage tolerance:-10% ~ +10%
- 8: Diaphragm seals: NBR, VITON, EPDM, SILICA GEL
- 9: Plastic body: Its advantages are low cost, light, good appearance and easy to install. Consult factory for other size.
- 10:Coil can fix SM Coil. AC 220V/AC110V/AC24V/DC24V



Valve Selection List

Pipe Size	Orifice mm	Operating pressure differential (kgf/cm ²)						Max. Fluids Temp. °C	Coil F Class Type	Power		External Dimensions Length x Width x Height L x B x H	Model Code 220VAC 50/60HZ	Weight (KG)
		CV Factor	Min.	Max.						VA AC 220 V	W DC 24 V			
				Air		Water Hot water Liquids								
				AC	DC	AC	DC							
1/2"	16	4.8	0	8	6	8	6	80	D	20	20	69×57×106	ZS1DF02N7D16	0.4
	16	4.8	0	8	6	8	6	120	D	20	20	69×57×106	ZS1DF02E7D16	0.4
	16	4.8	0	8	6	8	6	120	D	20	20	69×57×106	ZS1DF02V7D16	0.4
	16	4.8	0			3	3	120	D	20	20	69×57×106	ZS1DF02G7D16	0.4
3/4"	20	7.6	0	8	6	8	6	80	D	20	20	73×57×114	ZS1DF02N7E20	0.45
	20	7.6	0	8	6	8	6	120	D	20	20	73×57×114	ZS1DF02E7E20	0.45
	20	7.6	0	8	6	8	6	120	D	20	20	73×57×114	ZS1DF02V7E20	0.45
	20	7.6	0			3	3	120	D	20	20	73×57×114	ZS1DF02G7E20	0.45
1"	25	12	0	8	6	8	6	80	D	20	20	99×77×121	ZS1DF02N7G25	0.56
	25	12	0	8	6	8	6	120	D	20	20	99×77×121	ZS1DF02E7G25	0.56
	25	12	0	8	6	8	6	120	D	20	20	99×77×121	ZS1DF02V7G25	0.56
	25	12	0			3	3	120	D	20	20	99×77×121	ZS1DF02G7G25	0.56

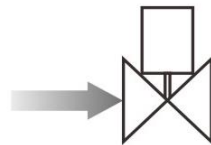
SLP 2/2-Way Large diameter Pilot Operated Solenoid Valve • Normally Closed

- 1: 2-Way normally closed solenoid valve, Closed when de-energized, open when energized.
- 2: Serialized products, small in size, large flow rate, widely use
- 3: Body material: forged brass. Orifice: ϕ 13~15mm.
- 4: Ambient Temp. 0°C~65°C, Fluids Temp: 0°C~130°C, Max allowable pressure 20 bar.
- 5: Flow as the arrow, mounts in any position; Best position is solenoid vertical and upright direction.
- 6: Voltage: 220VAC/230VAC/240VAC/110VAC/24VAC 50/60HZ 24VDC/12VDC;
Voltage Tolerance: +10% to -10% applicable voltage
- 7: This series valves are offered NBR, VITON, EPDM etc
For Seals and diaphragm to provide on-off control of various fluids.
- 8: Can fix explosion-proof coil
- 9: Coil can fix SM Coil. AC 220V/AC110V/AC24V/DC24V

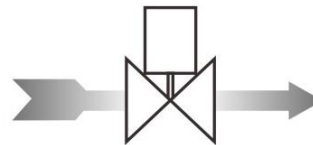


Normally closed

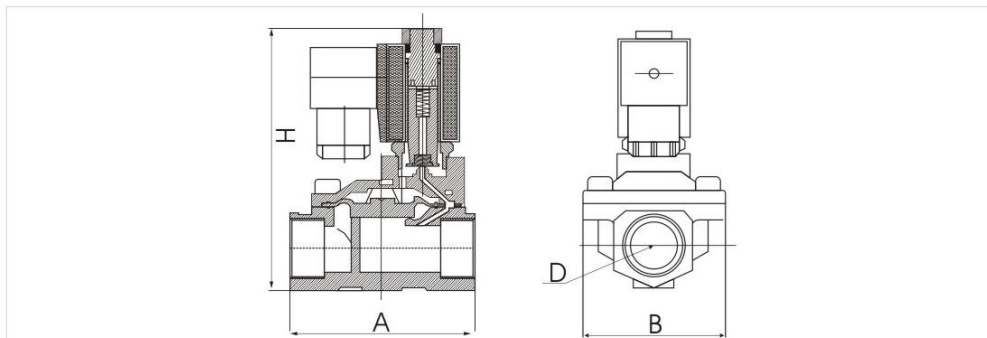
De-energized
Closed



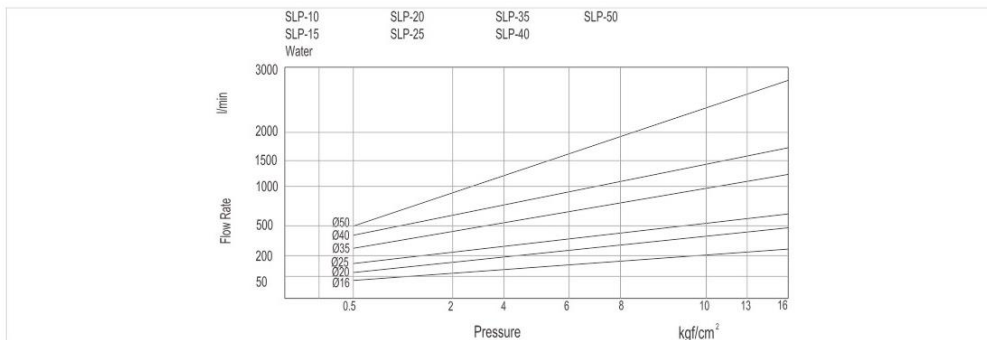
Energized
Open



Construction, External Dimensions Chart

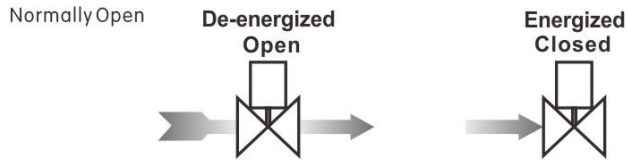


Flow Chart

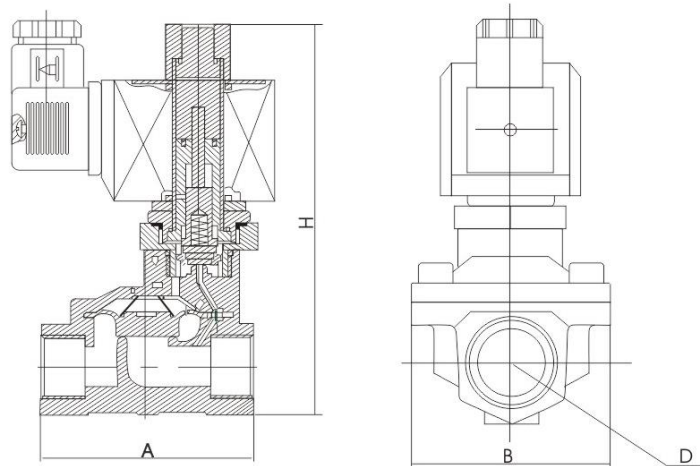


SLP 2/2-Way Large diameter Pilot Operated Solenoid Valve · Normally Open

- 1:** 2-Way normally open solenoid valve;
Open when de-energized, closed when energized.
- 2:** Body material: brass
- 3:** Max. Allowable pressure 16kgf/cm²; Ambient Temp. 0°C~65°C
- 4:** Serialized products, small in size, large flow rate, widely use.
- 5:** Flow as the arrow, mounts in any position; Best position is Solenoid vertical and upright direction.
- 6:** Voltage: 220VAC/230VAC/240VAC/110VAC/24VAC 50/60HZ 24VDC/12VDC;
Voltage Tolerance: +10% to -10% applicable voltage.
- 7:** This series valves are offered NBR, VITON, EPDM etc for Seals and diaphragm to provide on-off control of various fluids.



Construction, External Dimensions Chart



2W Series 2/2-Way Direct Acting Solenoid Valve · Normally Closed

2W | **160** | **15** | **V** | **AC220V**

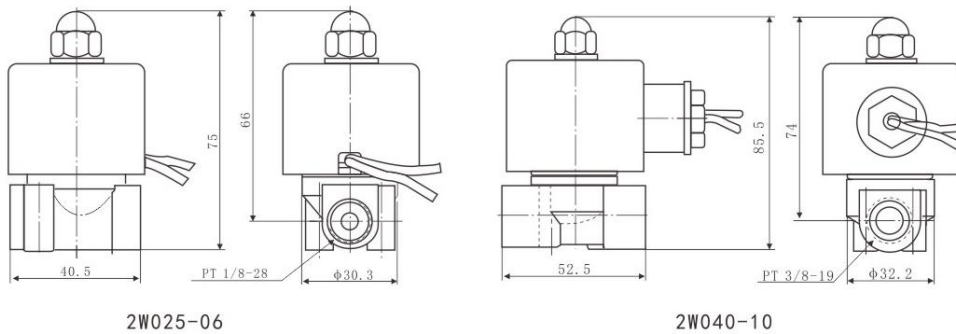
2 Way Direct Acting Orifice Pipe Size Available Voltage
 Blank: NBR V: For High Temp. Contact the Factory for Others



Specifications

Model code	2W025-06	2W025-08	2W040-10	2W100-10	2W160-10	2W100-15	2W160-15	2W200-20	2W250-25	2W350-35	2W400-40	2W500-50
Pipe Size	1/8"	1/4"	3/8"			1/2"		3/4"	1"	1 1/4"	1 1/2"	2"
Orifice	2.5mm		4mm	10mm	16mm	10mm	16mm	20mm	25mm	32mm	40mm	50mm
Cv Factor	0.23		0.6	1.6	4.8	1.6	4.8	7.6	12	24	29	48
Fluid Media	Air, Water, Oil, Gas											
Operating Mode	Direct Acting											
Type	Normally Closed											
Viscosity	Under 20CTS											
Operating Pressure	Water: 0~7bar Air: 0~7bar Oil: 0~5bar											
Available Voltage	AC220V AC110V DC24V DC12V ± 10%											
Body Material	Brass											
Seals Material	NBR or VITON											

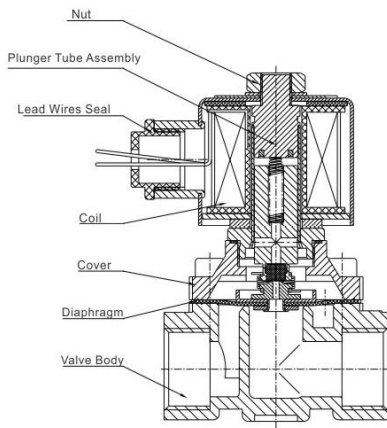
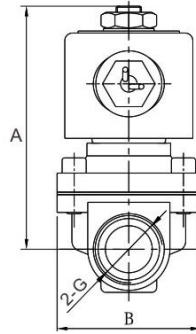
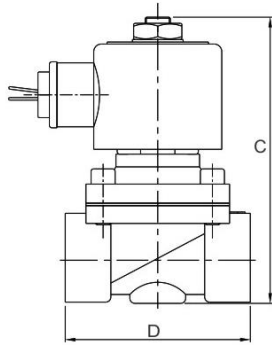
Construction Dimensions Chart



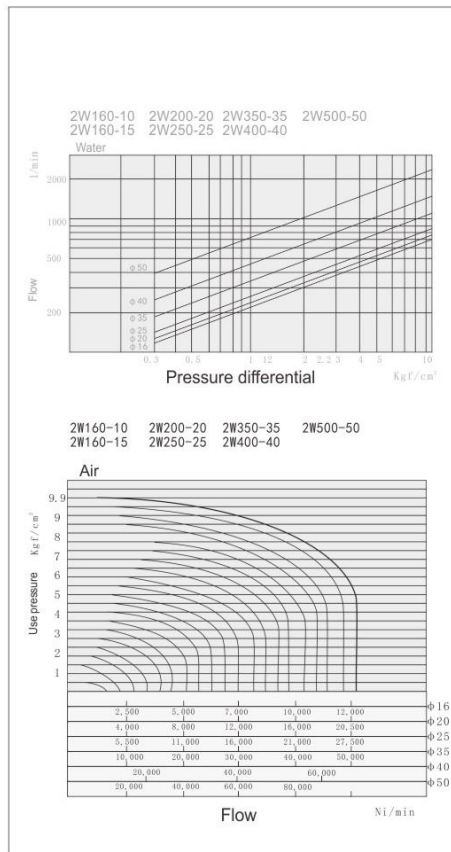
Sanlixin Solenoid Valve

2W Series 2/2-Way Direct Acting Solenoid Valve · Normally Closed

Construction Dimensions Chart



Fluid Flow Chart



Technical Parameter

Model code	A	B	C	D	G	Weight (KG)
2W100-10	90	40.5	98	50	3/8"	0.64
2W100-15	90	40.5	98	50	1/2"	0.68
2W160-10	101.5	57	117	69	3/8"	0.9
2W160-15	101.5	57	117	69	1/2"	0.9
2W200-20	107	57	123.5	73	3/4"	1.0
2W250-25	111.5	73.5	134.5	99	1"	1.5
2W350-35	142	95	172	112	1 1/4"	2.4
2W400-40	142	95	172	123	1 1/2"	2.7
2W500-50	172	123	209	168	2"	4.5


2W Series 2/2-Way Direct Acting Solenoid Valve • Normally Closed

Technical Parameter (Female Thread)

Model code	L	H	Pipe Size	Weight (KG)
2W025-06B	40.5	75	1/8"	0.30
2W025-08B	40.5	75	1/4"	0.29
2W040-10B	52.5	85.5	3/8"	0.6
2W160-10B	69	117	3/8"	0.85
2W160-15B	69	117	1/2"	0.8
2W200-20B	73	123.5	3/4"	1.1
2W250-25B	99	134.5	G1"	1.45
2W350-35B	112	172	1 1/4"	2.3
2W400-40B	123	172	1 1/2"	2.9
2W500-50B	168	209	2"	4.8



Specifications

Model code	2W025-06B	2W025-08B	2W040-10B	2W160-10B	2W160-15B	2W200-20B	2W250-25B	2W350-35B	2W400-40B	2W500-50B
Symbol										
Fluid Media	Air, Water, Oil, Gas									
Operating Mode	Direct Acting									
Type	Normally Closed									
Orifice	2.5	4	16	20	25	32	40	50		
Cv Factor	0.23	0.6	4.8	7.6	12	24	29	48		
Pipe Size	1/8"	1/4"	3/8"	3/8"	1/2"	3/4"	1"	1 1/4"	1 1/2"	2"
Viscosity	Under 20CTS									
Operating Pressure	Water:0~7 Air:0~7 Oil:0~5									
Fluids Temp.	-5~80°C									
Available Voltage	± 10% AC220V 110V DC24V Contact the factory for Others									
Body Material	S.S.304 (S.S.316 Special Made)									
Seals Material	NBR or VITON									

Construction External Dimensions Chart

