

Sanlixin Solenoid Valve

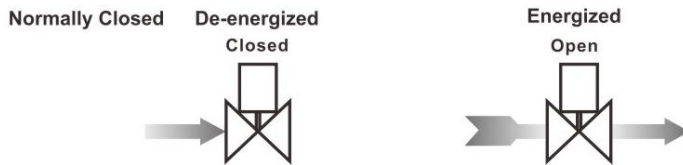
ZS Compact Series 2/2-Way Direct Acting Solenoid Valve · Normally Closed

Solenoid Valves Numbering System for Order

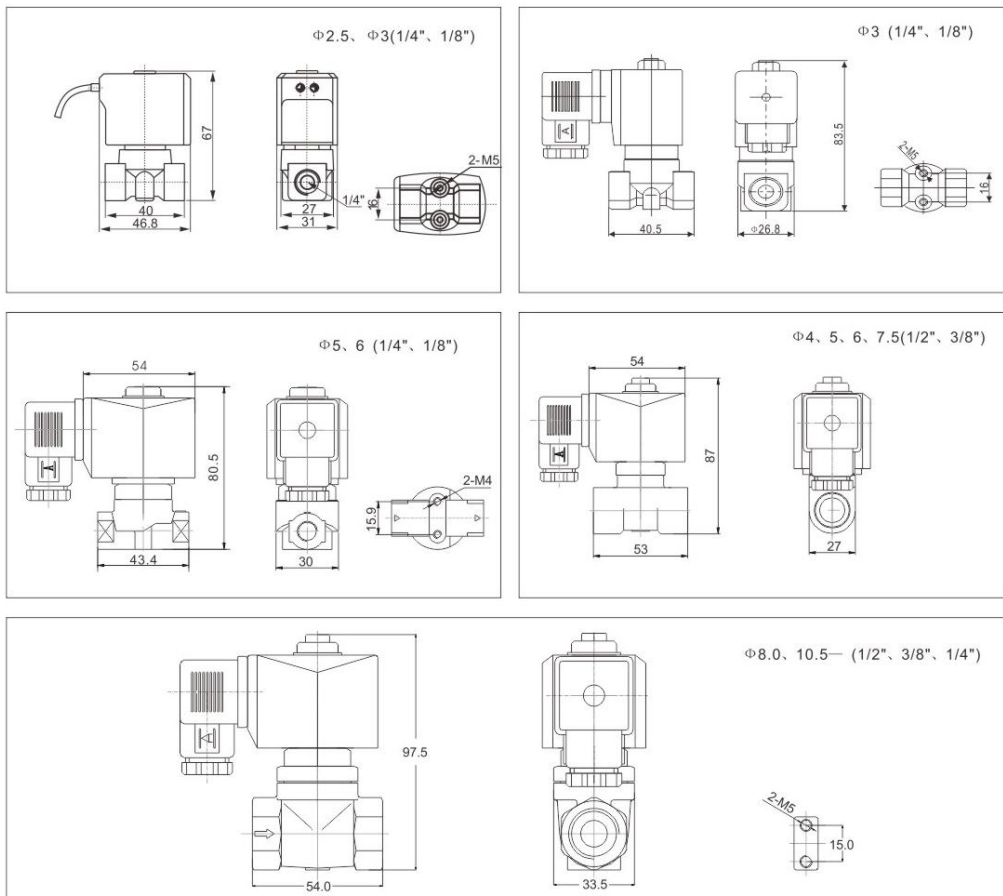
Position description	1	2	3	4	5	6	7	8	9	10
	Valve Series	Mode of Operation	Coil Type	Coil Class	Voltage	Seal Material	Body Material	Pipe Size	Orifice (mm)	Options
E.G.	ZS	1	D	F	02	N	1	E	20	<input type="checkbox"/>
	ZS Series	1: Normally Closed 2: Normally Open	D: DIN Standard Connections, Fully Encapsulated A: Metallic Housing, DIN Standard N= Lead wires water-tight Fully Encapsulated	F: F Class H: H Class	02=AC220V AC230V 01=AC110V AC120V 03=AC36V 04=AC48V 05=AC24V 07=24-220V AC/DC 08=AC380V 12=DC12V 13=DC24V	N=NBR V=VITON E=EPDM (for orifice under ϕ 25mm only) G=Silicone	1=Forged Brass 4=SS304 9=Forged Brass 1=Forged Brass 4=SS304 2=Cast Brass 1: Forged Brass 2: Cast Brass 1: Forged Brass 2: Cast Brass 1: Forged Brass 4=SS304	A=1/8" B=1/4" C=3/8" D=1/2" B=1/4" C=3/8" D=1/2" C=3/8" D=1/2" E=3/4" G=1" H=1 1/4" J=1 1/2" K=2" F= Flange Connection	C3=2.5 03=3.0 04=4.0 05=5.0 06=6.0 C8=7.5 04=4.0 05=5.0 06=6.0 C8=7.5 10=10.0 10=10.0 16=16.0 20=20.0 25=25.0 32=32.0 35=35.0 40=40.0 50=50.0 25=25.0 35=35.0 40=40.0 50=50.0 65=65.0 80=80.0 100=100.0	M= Manual Override L= Neon lamp N= NPT pipe size K= Mounting Bracket Y=Sensor

ZS Compact Series 2/2-Way Direct Acting Solenoid Valve · Normally Closed

1. 2/2-Way normally closed solenoid valve, Closed when de-energized, open when energized
2. Body material: Brass, SS304, SS316(Special made)
3. Max. Allowable pressure 16kgf/cm²; Fluids Temp: 0°C~120°C
4. Serialized products, small in size, large flow rate, widely use
5. Flow as the arrow, mounts in any position; Best position is solenoid vertical and upright direction.
6. Voltage: 220VAC/230VAC/240VAC/110VAC/24C 50/60HZ 24VDC/12VDC; Voltage Tolerance: +10% to -10% applicable voltage
7. Coil can fix Germany Nass Coil, for orifice under DN25 only
8. This series valves are offered NBR、VITON、EPDM etc for Seals and diaphragm to provide on-off control of various fluids.
9. Coil can fix SM Coil. AC 220V/AC110V/AC24V/DC24V



External Dimensions Chart



Sanlixin Solenoid Valve

ZS Compact Series 2/2-Way Direct Acting Solenoid Valve · Normally Closed



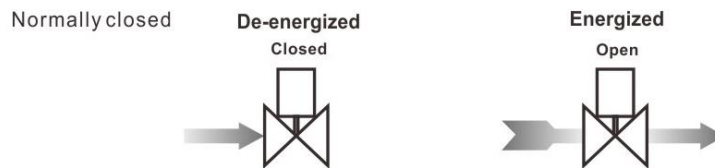
Valve Selection List

Pipe Conn- ection	Orifice mm	CV Factor	Operating pressure differential (kgf/cm ²)								Max. fluids Temp. °C	Coil Type	Power consumption		Coil Class	Model Code Follows Voltage are 220VAC		Weight (KG)
			Min.	Max.						AC 220V			DC 24V	Body material:				
				Air Gas		Water Hot water Liquids		Light oil ≤ 20CST						Forged brass		SS304		
				AC	DC	AC	DC	AC	DC									
1/8" for N05 type coil only	2.5	0.23	0	7	5	7	5	7	5	80	N	13	8.5	B	ZS1NF02N1AC3	ZS1NF02N4AC3	0.35	
	2.5	0.23	0	7	5	7	5			120	N	13	8.5	B	ZS1NF02E1AC3	ZS1NF02E4AC3	0.35	
	2.5	0.23	0	7	5	7	5	7	5	120	N	13	8.5	B	ZS1NF02V1AC3	ZS1NF02V4AC3	0.35	
	3	0.3	0	5	4	5	4	5	4	80	N	13	8.5	B	ZS1NF02N1A03	ZS1NF02N4A03	0.35	
	3	0.3	0	5	4	5	4			120	N	13	8.5	B	ZS1NF02E1A03	ZS1NF02E4A03	0.35	
1/8"	3	0.3	0	5	4	5	4	5	4	120	N	13	8.5	B	ZS1NF02V1A03	ZS1NF02V4A03	0.35	
	5	0.65	0	6	4	6	4	4	3	80	D	20	20	F	ZS1DF02N1A05	ZS1DF02N4A05	0.46	
	5	0.65	0	6	4	6	4			120	D	20	20	F	ZS1DF02E1A05	ZS1DF02E4A05	0.46	
	5	0.65	0	6	4	6	4	4	3	120	D	20	20	F	ZS1DF02V1A05	ZS1DF02V4A05	0.46	
	6	0.8	0	4	2.5	4	2.5	3	2.5	80	D	20	20	F	ZS1DF02N1A06	ZS1DF02N4A06	0.46	
	6	0.8	0	4	2.5	4	2.5			120	D	20	20	F	ZS1DF02E1A06	ZS1DF02E4A06	0.46	
	6	0.8	0	4	2.5	4	2.5	3	2.5	120	D	20	20	F	ZS1DF02V1A06	ZS1DF02V4A06	0.46	
	7.5	1.0	0	1.5	1	1.5	1	1.5	1	80	D	20	20	F	ZS1DF02N1AC8	ZS1DF02N4AC8	0.45	
1/4" for N05 type coil only	7.5	1.0	0	1.5	1	1.5	1			120	D	20	20	F	ZS1DF02E1AC8	ZS1DF02E4AC8	0.45	
	7.5	1.0	0	1.5	1	1.5	1	1.5	1	120	D	20	20	F	ZS1DF02V1AC8	ZS1DF02V4AC8	0.45	
	2.5	0.23	0	7	5	7	5	7	5	80	N	13	8.5	B	ZS1NF02N1BC3	ZS1NF02N4BC3	0.34	
	2.5	0.23	0	7	5	7	5			120	N	13	8.5	B	ZS1NF02E1BC3	ZS1NF02E4BC3	0.34	
	2.5	0.23	0	7	5	7	5	7	5	120	N	13	8.5	B	ZS1NF02V1BC3	ZS1NF02V4BC3	0.34	
	3	0.3	0	5	4	5	4	5	4	80	N	13	8.5	B	ZS1NF02N1B03	ZS1NF02N4B03	0.34	
	3	0.3	0	5	4	5	4			120	N	13	8.5	B	ZS1NF02E1B03	ZS1NF02E4B03	0.34	
	3	0.3	0	5	4	5	4	5	4	120	N	13	8.5	B	ZS1NF02V1B03	ZS1NF02V4B03	0.34	
1/4"	5	0.65	0	6	4	6	4	4	3	80	D	20	20	F	ZS1DF02N1B05	ZS1DF02N4B05	0.45	
	5	0.65	0	6	4	6	4			120	D	20	20	F	ZS1DF02E1B05	ZS1DF02E4B05	0.45	
	5	0.65	0	6	4	6	4	4	3	120	D	20	20	F	ZS1DF02V1B05	ZS1DF02V4B05	0.45	
	6	0.8	0	4	2.5	4	2.5	3	2.5	80	D	20	20	F	ZS1DF02N1B06	ZS1DF02N4B06	0.45	
	6	0.8	0	4	2.5	4	2.5			120	D	20	20	F	ZS1DF02E1B06	ZS1DF02E4B06	0.45	
	6	0.8	0	4	2.5	4	2.5	3	2.5	120	D	20	20	F	ZS1DF02V1B06	ZS1DF02V4B06	0.45	
	7.5	1.0	0	1.5	1	1.5	1	1.5	1	80	D	20	20	F	ZS1DF02N1BC8	ZS1DF02N4BC8	0.44	
	7.5	1.0	0	1.5	1	1.5	1			120	D	20	20	F	ZS1DF02E1BC8	ZS1DF02E4BC8	0.44	
7.5	1.0	0	1.5	1	1.5	1	1.5	1	120	D	20	20	F	ZS1DF02V1BC8	ZS1DF02V4BC8	0.44		

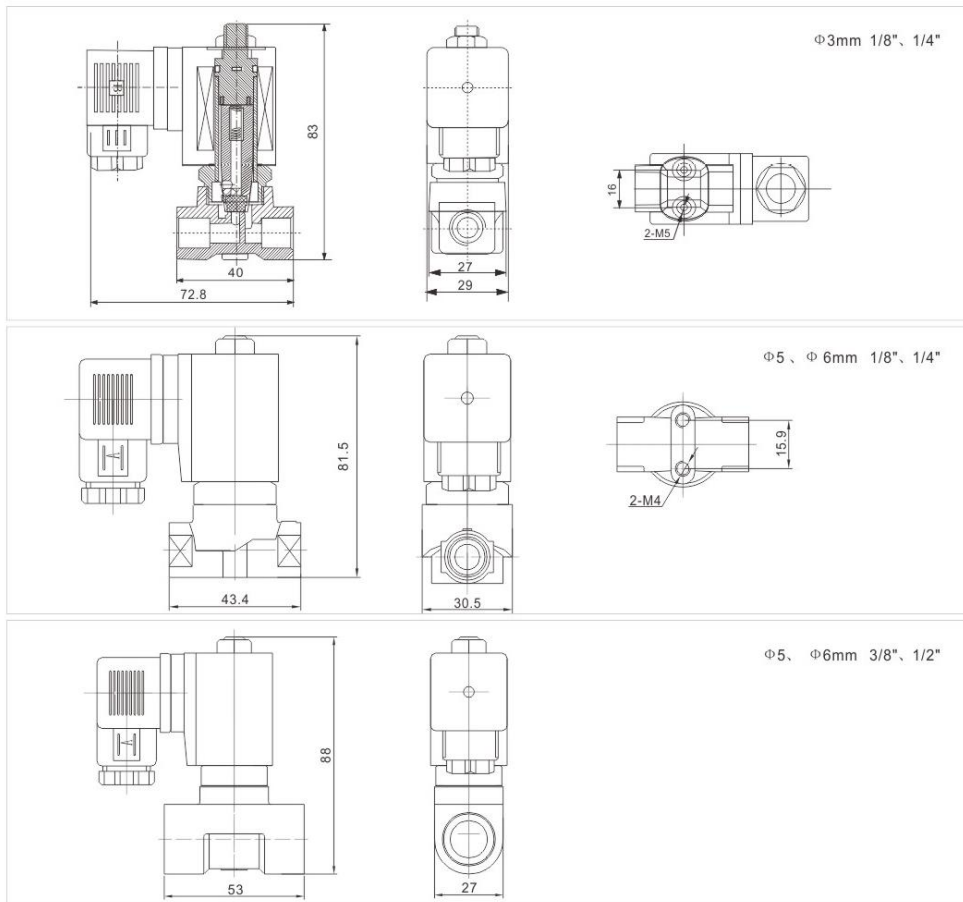
Sanlixin Solenoid Valve

SLP Compact Series 2/2-Way Direct Acting Solenoid Valve · Normally Closed

- 1:** 2-Way normally closed solenoid valve, Closed when de-energized, open when energized.
- 2:** Serialized products, small in size, large flow rate, widely use
- 3:** Body material: forged brass.316 stainless steel.
- 4:** Ambient Temp. 0°C~65°C, Fluids Temp 0°C~130°C
- 5:** Flow as the arrow, mounts in any position; Best position is solenoid vertical and upright direction.
- 6:** Voltage: 220VAC/230VAC/240VAC/110VAC/24VAC 50/60HZ 24VDC/12VDC; Voltage Tolerance: +10% to -10% applicable voltage
- 7:** This series valves are offered NBR, VITON, EPDM etc for Seals and diaphragm to provide on-off control of various fluids.
- 8:** Coil can fix SM Coil. AC 220V/AC110V/AC24V/DC24V



Construction, External Dimensions Chart



SLP Compact Series 2/2-Way Direct Acting Solenoid Valve • Normally Closed



Valve Selection List

Pipe Conn- ection	Orifice mm	CV Factor	Operating pressure differential (kgf/cm ²)								Max. fluids Temp. °C	Coil Type	Power consumption		Coil Class	Model Code Follows Voltage are 220VAC		Weight KG
			Min.	Max.				AC 220V	DC 24V	AC			DC	Body material:				
				Air Gas		Water Hot water Liquids										Light oil ≤ 20CST		
				AC	DC	AC	DC							AC		DC	Forgeda brass	
1/8"	3	0.23	0	13	13	13	13	10	10	80	D	22	13	F	SLP1DF02N1A03	SLP1DF02N3A03	0.37	
	3	0.23	0	13	13	13	13			130	D	22	13	F	SLP1DF02E1A03	SLP1DF02E3A03	0.37	
	3	0.23	0	13	13	13	13	10	10	120	D	22	13	F	SLP1DF02V1A03	SLP1DF02V3A03	0.37	
	5	0.65	0	4	2.5	4	2.5	2.5	2	80	D	22	13	F	SLP1DF02N1A05	SLP1DF02N3A05	0.36	
	5	0.65	0	4	2.5	4	2.5			130	D	22	13	F	SLP1DF02E1A05	SLP1DF02E3A05	0.36	
	5	0.65	0	4	2.5	4	2.5	2.5	2	120	D	22	13	F	SLP1DF02V1A05	SLP1DF02V3A05	0.36	
	6	0.8	0	3	2	3	2	2.5	2	80	D	22	13	F	SLP1DF02N1A06	SLP1DF02N3A06	0.36	
	6	0.8	0	3	2	3	2			130	D	22	13	F	SLP1DF02E1A06	SLP1DF02E3A06	0.36	
1/4"	3	0.23	0	13	13	13	13	10	10	80	D	22	13	F	SLP1DF02N1B03	SLP1DF02N3B03	0.36	
	3	0.23	0	13	13	13	13			130	D	22	13	F	SLP1DF02E1B03	SLP1DF02E3B03	0.36	
	3	0.23	0	13	13	13	13	10	10	120	D	22	13	F	SLP1DF02V1B03	SLP1DF02V3B03	0.36	
	5	0.65	0	4	2.5	4	2.5	2.5	2	80	D	22	13	F	SLP1DF02N1B05	SLP1DF02N3B05	0.35	
	5	0.65	0	4	2.5	4	2.5			130	D	22	13	F	SLP1DF02E1B05	SLP1DF02E3B05	0.35	
	5	0.65	0	4	2.5	4	2.5	2.5	2	120	D	22	13	F	SLP1DF02V1B05	SLP1DF02V3B05	0.35	
	6	0.8	0	3	2	3	2	2.5	2	80	D	22	13	F	SLP1DF02N1B06	SLP1DF02N3B06	0.35	
	6	0.8	0	3	2	3	2			130	D	22	13	F	SLP1DF02E1B06	SLP1DF02E3B06	0.35	
3/8"	5	0.65	0	4	2.5	4	2.5	2.5	2	80	D	22	13	F	SLP1DF02N1C05	SLP1DF02N3C05	0.46	
	5	0.65	0	4	2.5	4	2.5			130	D	22	13	F	SLP1DF02E1C05	SLP1DF02E3C05	0.46	
	5	0.65	0	4	2.5	4	2.5	2.5	2	120	D	22	13	F	SLP1DF02V1C05	SLP1DF02V3C05	0.46	
	6	0.8	0	3	2	3	2	2.5	2	80	D	22	13	F	SLP1DF02N1C06	SLP1DF02N3C06	0.46	
	6	0.8	0	3	2	3	2			130	D	22	13	F	SLP1DF02E1C06	SLP1DF02E3C06	0.46	
	6	0.8	0	3	2	3	2	2.5	2	120	D	22	13	F	SLP1DF02V1C06	SLP1DF02V3C06	0.46	
	1/2"	5	0.65	0	4	2.5	4	2.5	2.5	2	80	D	22	13	F	SLP1DF02N1D05	SLP1DF02N3D05	0.43
		5	0.65	0	4	2.5	4	2.5			130	D	22	13	F	SLP1DF02E1D05	SLP1DF02E3D05	0.43
5		0.65	0	4	2.5	4	2.5	2.5	2	120	D	22	13	F	SLP1DF02V1D05	SLP1DF02V3D05	0.43	
6		0.8	0	3	2	3	2	2.5	2	80	D	22	13	F	SLP1DF02N1D06	SLP1DF02N3D06	0.43	
6		0.8	0	3	2	3	2			130	D	22	13	F	SLP1DF02E1D06	SLP1DF02E3D06	0.43	
6		0.8	0	3	2	3	2	2.5	2	120	D	22	13	F	SLP1DF02V1D06	SLP1DF02V3D06	0.43	

SLP Compact Series 2/2-Way Direct Acting Solenoid Valve · Normally Open

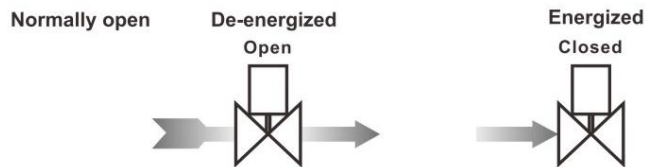
- 1: 2-Way normally open solenoid valve, Open when de-energized, Closed when energized.
- 2: Serialized products, small in size, large flow rate, widely use
- 3: Body material: forged brass.316 stainless steel.
- 4: Ambient Temp. 0°C~65°C, Fluids Temp 0°C~130°C.
- 5: Flow as the arrow, mounts in any position; Best position is solenoid vertical and upright direction.
- 6: Voltage: 220VAC/230VAC/240VAC/110VAC/24VAC 50/60HZ 24VDC/12VDC;
Voltage Tolerance: +10% to -10% applicable voltage can fix Nass coil
- 7: This series valves are offered NBR, VITON, EPDM etc
For Seals and diaphragm to provide on-off control of various fluids.



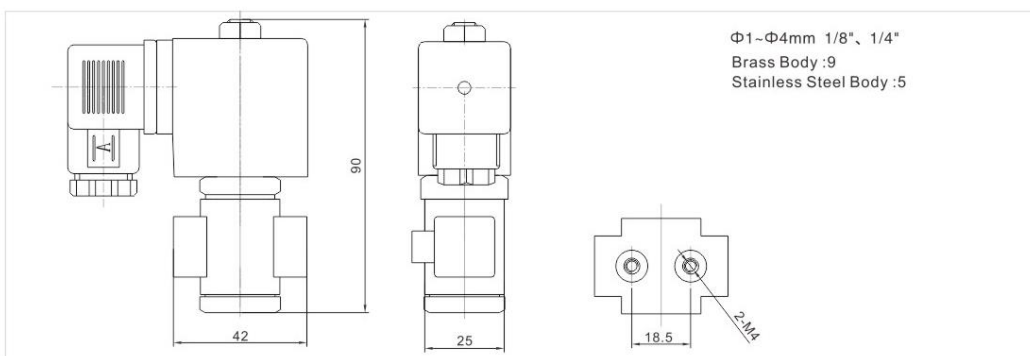
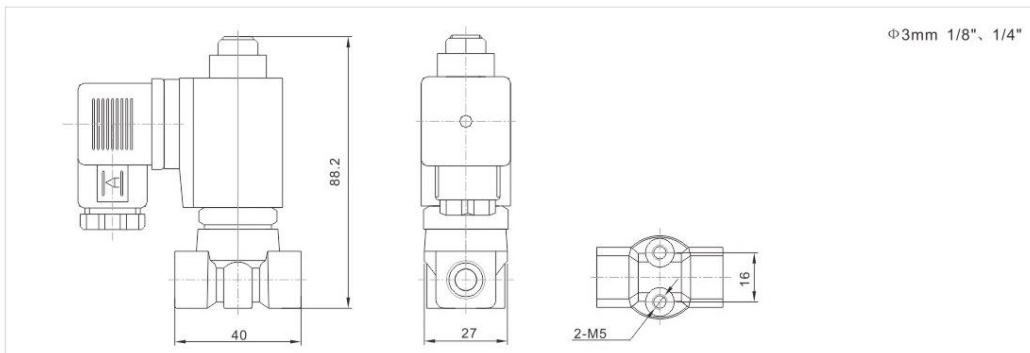
Body:9 & 5



Body:1 & 3



Construction, External Dimensions Chart



2W Series 2/2-Way Direct Acting Solenoid Valve · Normally Closed

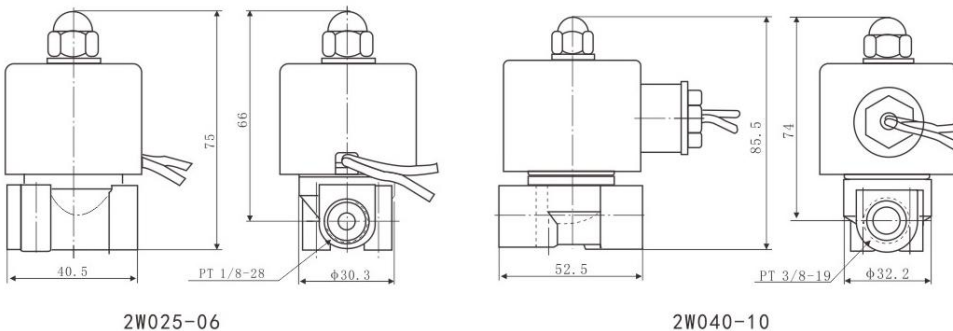
2W 160 15 V AC220V
 2 Way Direct Acting Orifice Pipe Size Available Voltage
 AC:110V
 AC:220V
 DC :24V
 Contact the Factory for Others
 Blank:NBR
 V:For High Temp.



Specifications

Model code	2W025-06	2W025-08	2W040-10	2W100-10	2W160-10	2W100-15	2W160-15	2W200-20	2W250-25	2W350-35	2W400-40	2W500-50
Pipe Size	1/8"	1/4"	3/8"		1/2"		3/4"	1"	1 1/4"	1 1/2"	2"	
Orifice	2.5mm		4mm	10mm	16mm	10mm	16mm	20mm	25mm	32mm	40mm	50mm
Cv Factor	0.23		0.6	1.6	4.8	1.6	4.8	7.6	12	24	29	48
Fluid Media	Air, Water, Oil, Gas											
Operating Mode	Direct Acting											
Type	Normally Closed											
Viscosity	Under 20CTS											
Operating Pressure	Water:0~7bar Air:0~7bar Oil:0~5bar											
Available Voltage	AC220V AC110V DC24V DC12V ± 10%											
Body Material	Brass											
Seals Material	NBR or VITON											

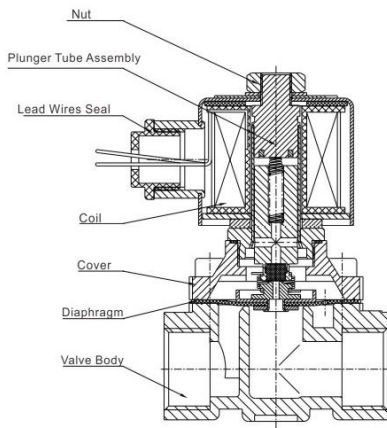
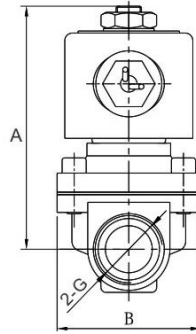
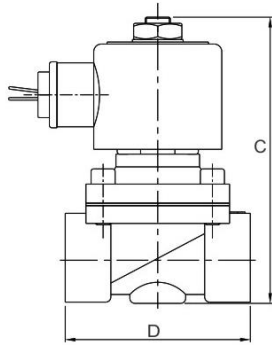
Construction Dimensions Chart



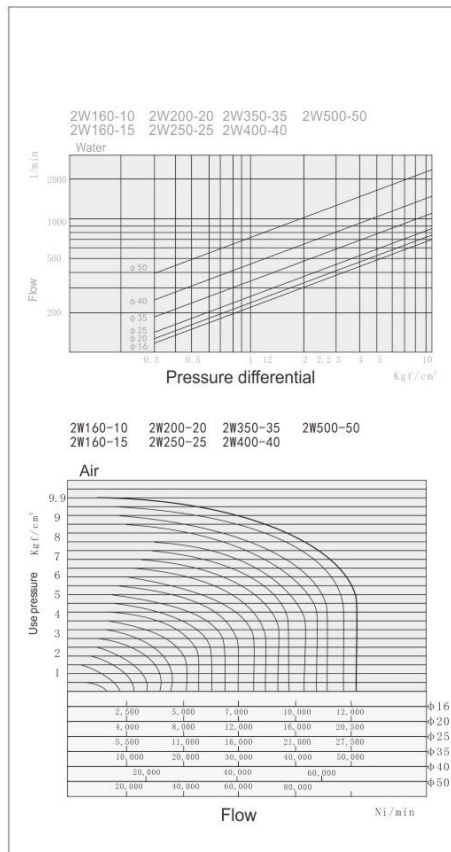
Sanlixin Solenoid Valve

2W Series 2/2-Way Direct Acting Solenoid Valve · Normally Closed

Construction Dimensions Chart



Fluid Flow Chart



Technical Parameter

Model code	A	B	C	D	G	Weight (KG)
2W100-10	90	40.5	98	50	3/8"	0.64
2W100-15	90	40.5	98	50	1/2"	0.68
2W160-10	101.5	57	117	69	3/8"	0.9
2W160-15	101.5	57	117	69	1/2"	0.9
2W200-20	107	57	123.5	73	3/4"	1.0
2W250-25	111.5	73.5	134.5	99	1"	1.5
2W350-35	142	95	172	112	1 1/4"	2.4
2W400-40	142	95	172	123	1 1/2"	2.7
2W500-50	172	123	209	168	2"	4.5


2W Series 2/2-Way Direct Acting Solenoid Valve • Normally Closed

Technical Parameter (Female Thread)

Model code	L	H	Pipe Size	Weight (KG)
2W025-06B	40.5	75	1/8"	0.30
2W025-08B	40.5	75	1/4"	0.29
2W040-10B	52.5	85.5	3/8"	0.6
2W160-10B	69	117	3/8"	0.85
2W160-15B	69	117	1/2"	0.8
2W200-20B	73	123.5	3/4"	1.1
2W250-25B	99	134.5	G1"	1.45
2W350-35B	112	172	1 1/4"	2.3
2W400-40B	123	172	1 1/2"	2.9
2W500-50B	168	209	2"	4.8



Specifications

Model code	2W025-06B	2W025-08B	2W040-10B	2W160-10B	2W160-15B	2W200-20B	2W250-25B	2W350-35B	2W400-40B	2W500-50B
Symbol										
Fluid Media	Air, Water, Oil, Gas									
Operating Mode	Direct Acting									
Type	Normally Closed									
Orifice	2.5	4	16	20	25	32	40	50		
Cv Factor	0.23	0.6	4.8	7.6	12	24	29	48		
Pipe Size	1/8"	1/4"	3/8"	3/8"	1/2"	3/4"	1"	1 1/4"	1 1/2"	2"
Viscosity	Under 20CTS									
Operating Pressure	Water:0~7 Air:0~7 Oil:0~5									
Fluids Temp.	-5~80°C									
Available Voltage	± 10% AC220V 110V DC24V Contact the factory for Others									
Body Material	S.S.304 (S.S.316 Special Made)									
Seals Material	NBR or VITON									

Construction External Dimensions Chart

