

SJGF Series 2/2-way pinch solenoid valve normally closed

This series of products characteristics , can be used with 3.2*6.4 or 6.4*9.5 silica gel tube.

Intubation from the side facilitates replacement and maintenance. Small in size, long life, steady quality Can be used in water quality, biochemical, medical and other instruments and equipment.

The pinch solenoid valve relies on the piston to squeeze the hose and electromagnetic force under the action of spring force.

The piston overcomes the spring force by releasing the hose to control the closing and opening of the pipe only.

The inner wall of the hose is in direct contact with the medium.



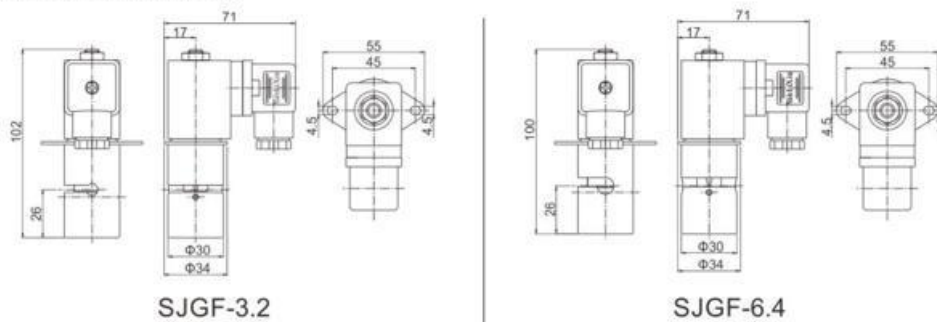
Technical parameter

Code		SJGF-3.2	SJGF-6.4
Hose size		3.2*6.4 Shore50°silicon tube	6.4*9.5 Shore50°silicon tube
Pressure		0~0.8Bar	
Body material		Aluminum alloy 6062	
Piston material		PA+GF30	
Medium		Non-corrosive gases and liquids	
Medium temperature		-20℃~120℃	
Ambient temperature		0℃~60℃	
Power (W)	DC24V	17/13	17
	DC12V	17/13	17
Weight		0.40	0.40

Note:

1. The silicone rubber hose is not available when the conventional product is ordered
2. Solenoid pinch valve can be customized according to the inside and outside diameters of hoses of other specifications, but hose samples shall be provided.

External Dimensions:



SWXF Series Mini Power Solenoid Valve<Normally Closed>

1. 2/2-way normally closed solenoid valve, Closed when de-energized, open when energized.
2. Characteristic: low power, small in size, easy integration, can be used in medical, pharmaceutical, analytical instruments and other industries widely.
3. Body material: SS304、 PEEK
4. Ambient temp.:0℃-65℃
5. Voltage: DC24V、 DC12V ±10%
6. Seal material: NBR、 VITON、 EPDM etc
7. Medium: Neutral fluid, viscosity:<20CST
8. Connect size: M6
9. Coil connection mode: lead type (length: 350mm)
10. Flow as the arrow, mounts in any position, Best position is solenoid vertical and upright direction.

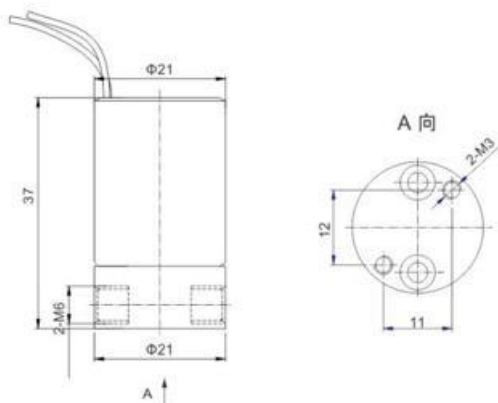


Solenoid Valves Numbering System for Order

Position description	1	2	3	4	5	6	7	8	9	10
	Valve Series	Mode of Operation	Coil Type	Coil Class	Voltage	Seals Material	Body Material	Pipe Size	Orifice (mm)	Options
E.G.	SWXF	1	W	H	13	V	4	M	02	<input type="checkbox"/>
		1: Normally Colsed	W: Metallic housing, lead wires	H: H class	12= DC12V 13= DC24V	N=NBR V=VITON E=EPDM	4= SS304 K= PEEK	M=M6	01=1.0 C1=1.2 C2=1.5 02=2.0	

SWXF Series Mini Power Solenoid Valve<Normally Closed>

External Dimensions:



Valve Selection List

Pipe Conn- -ection	Orifice mm	CV Factor	Operating pressure differential (kgf/cm ²)		Max. Fluids Temp. °C	Coil Type	Coil Class	Power W	Model Code Follows Voltage are DC24V Seal material is VITON	Weight KG
			Min.	Max.						
				Air, water, liquid						
M6	1.0	0.04	0	10	80	A	H	2.9	SWXF1WH13N4M01	0.075
	1.0	0.04	0	10	120	A	H	2.9	SWXF1WH13E4M01	
	1.0	0.04	0	10	120	A	H	2.9	SWXF1WH13V4M01	
M6	1.2	0.05	0	10	80	A	H	2.9	SWXF1WH13N4MC1	
	1.2	0.05	0	10	120	A	H	2.9	SWXF1WH13E4MC1	
	1.2	0.05	0	10	120	A	H	2.9	SWXF1WH13V4MC1	
M6	1.5	0.08	0	8	80	A	H	2.9	SWXF1WH13N4MC2	
	1.5	0.08	0	8	120	A	H	2.9	SWXF1WH13E4MC2	
	1.5	0.08	0	8	120	A	H	2.9	SWXF1WH13V4MC2	
M6	2.0	0.14	0	6	80	A	H	2.9	SWXF1WH13N4M02	
	2.0	0.14	0	6	120	A	H	2.9	SWXF1WH13E4M02	
	2.0	0.14	0	6	120	A	H	2.9	SWXF1WH13V4M02	

STJF Series Proportional Valve

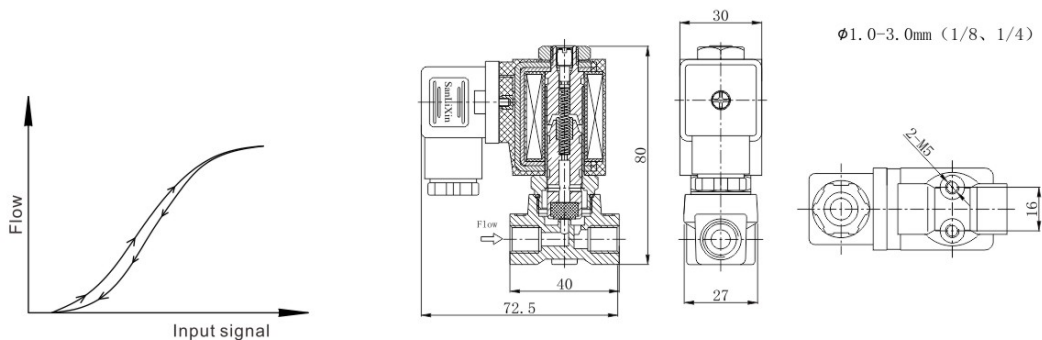
1. 2-way normally closed proportional valve, Wide Linear ControlRange, Cleaned for Oxygen Service
2. Body Material: Brass, Stainless steel
3. Ambient temp.: -10- -60C
4. Voltage: DC24V. DC12V --5%~+ 10% Voltage tolerance
5. Media: Air, Oxygen, water and other medical gases.
6. PWM: 300HZ~350HZ
7. Pipe size: 1/8"~1/4"
8. Hysteresis: <8%, Repeatability: <5%
9. We advise the valve to use with the PWM & Sensor
10. This series solenoid valve match with UL & CE



Solenoid valve model numbering system for order

	1	2	3	4	5	6	7	8	9	10
	Valve Series	Mode of Operation	Coil Type	Coil Class	Voltage	Seal Material	Body material	Pipe size	Orifice (mm)	Options
E.G.	STJF	1	D	H	13	V	1	A	02	□
		1:Normally Closed	D=DIN standard connections, fully encapsulated	H=H Class	13=DC24 12=DC12V	V=VITON N=NBR	1= 锻铜 3= SS316 9= Brass	A=1/8" B=1/4" M= Plate type	01=1.0 C1=1.2 C2=1.5 02=2.0 C3=2.5 03=3.0 04=4.0	N=NPT Thread L=Neon Lamp Bland is G thread

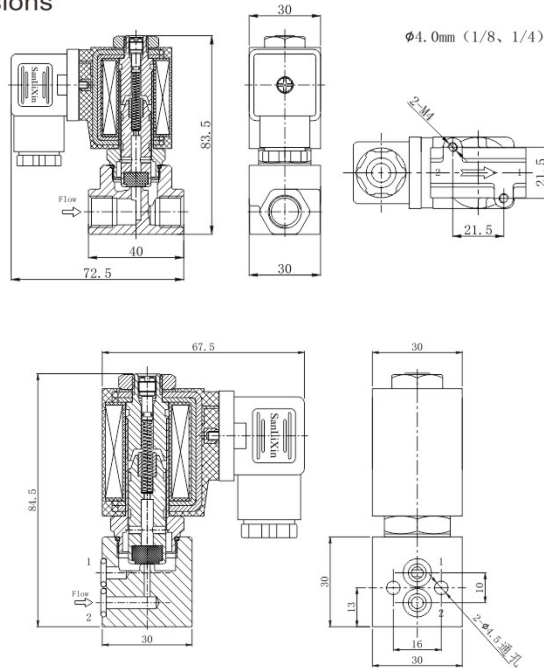
External Dimensions



Sanlixin Solenoid Valve

STJF Series Proportional Valve

External Dimensions



Body: 9

Valve Selection List

Pipe Conn- ection	Orifice mm	CV Factor	Operating pressure differential (kgf/cm ²)		Coil Type	Coil Class	Power W DC 24V	Max. fluids Temp. °C	Model Code Follows Voltage are DC 24V The sealing material is Viton		Weight Kg
			Min.	Max.					Forged Brass	Stainless Steel	
1/8"	1.0	0.04	0	10	D	H	17	80	STJF1DH13V1A01	STJF1DH13V3A01	0.4
	1.2	0.05	0	8	D	H	17	80	STJF1DH13V1AC1	STJF1DH13V3AC1	0.4
	1.5	0.08	0	8	D	H	17	80	STJF1DH13V1AC2	STJF1DH13V3AC2	0.4
	2.0	0.14	0	6	D	H	17	80	STJF1DH13V1A02	STJF1DH13V3A02	0.4
	2.5	0.23	0	4	D	H	17	80	STJF1DH13V1AC3	STJF1DH13V3AC3	0.4
	3.0	0.25	0	3	D	H	17	80	STJF1DH13V1A03	STJF1DH13V3A03	0.4
	4.0	0.4	0	2	D	H	17	80	STJF1DH13V1A04	STJF1DH13V3A04	0.45
1/4"	1.0	0.04	0	10	D	H	17	80	STJF1DH13V1B01	STJF1DH13V3B01	0.39
	1.2	0.05	0	8	D	H	17	80	STJF1DH13V1BC1	STJF1DH13V3BC1	0.39
	1.5	0.08	0	8	D	H	17	80	STJF1DH13V1BC2	STJF1DH13V3BC2	0.39
	2.0	0.14	0	6	D	H	17	80	STJF1DH13V1B02	STJF1DH13V3B02	0.39
	2.5	0.23	0	4	D	H	17	80	STJF1DH13V1BC3	STJF1DH13V3BC3	0.39
	3.0	0.25	0	3	D	H	17	80	STJF1DH13V1B03	STJF1DH13V3B03	0.39
	4.0	0.4	0	2	D	H	17	80	STJF1DH13V1B04	STJF1DH13V3B04	0.44

SLM 2/2-way Direct Acting compact Series Solenoid Valve

Main Technical Parameters

2/2-way solenoid valve, Closed when de-energizes, open when energized.
 Serialized products, small in size. Large flow rate, widely use
 Body material: Brass
 Plunger tube material : Brass stainless steel
 Ambient temp: 0~65℃ fluid temp: 0~120℃
 Voltage: AC220v DC 24v/6W (other voltage can special made)
 Flow as the arrow, mounts in any position:
 best position is solenoid vertical and upright direction.
 This series valves are offered NBR VITON EPDM stc for series and diaphragm to provide on-off control of various fluids.



Solenoid Valve Numbering System for Order

	1	2	3	4	5	6	7	8	9	10
	Valve Series	Mode of Operation	Coil Type	Coils Class	Voltage	Seal Material	Body Material	Pipe Size	Orifice	Options
E.G.	SLM	1	D	H	02	N	1	A	C2	L
		1: Normally Closed	D: DIN Standard Connections, Fully Encapsulated	H: Class	02= AC220V AC230V 50/60HZ 01= AC110V AC120V 50/60HZ 13= DC24V	N= NBR V= VITON E= EPDM	1= Forged Brass 3= SS316	A= 1/8" B= 1/4" C=3/8" D=1/2" E=3/4" G=1"	01=1.0 C2=1.5 02=02 C3=2.5 12=12 20=20.0 25=25.0	L= Neon Lamp D=01-410 coils (according to the customer) N= NPT

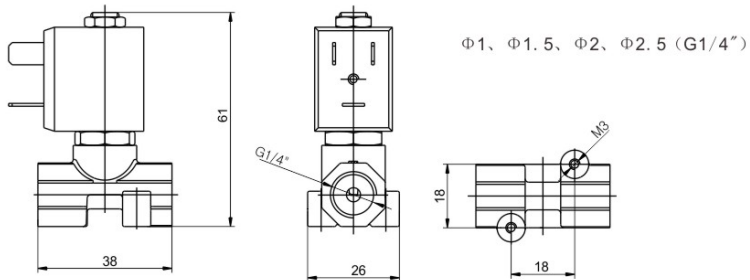
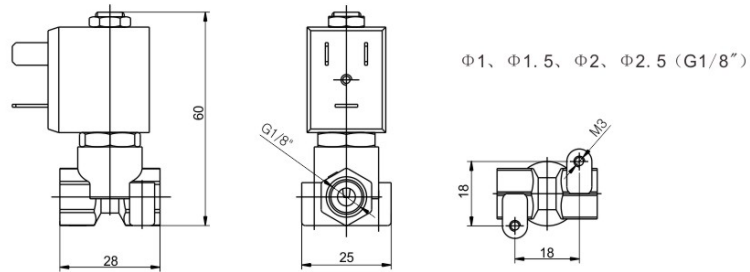
Sanlixin Solenoid Valve

SLM 2/2-way Direct Acting compact Series Solenoid Valve

valve selection list

Pipe Size	Orifice (mm)	CV Factor	Working Pressure (bar)				Coil Type	Power		Coil Class	Model Code Follows Voltage are AC220V 50/60HZ		Weight (KG)	
			Min	Max		VA AC 220V		W DC 24V						
				Gas					Liquid					
				AC	DC				AC					DC
1/8"	1.0	0.05	0	20	15	20	15	D	6	6	H	SLM1DF02N1A01	SLM1DF02N3A01	0.13
	1.5	0.07	0	16	13	16	13	D	6	6	H	SLM1DF02N1AC2	SLM1DF02N3AC2	
	2.0	0.13	0	13	10	13	10	D	6	6	H	SLM1DF02N1A02	SLM1DF02N3A02	
	2.5	0.17	0	10	6	10	6	D	6	6	H	SLM1DF02N1AC3	SLM1DF02N3AC3	
1/4"	1.0	0.05	0	20	15	20	15	D	6	6	H	SLM1DF02N1B01	SLM1DF02N3B01	0.14
	1.5	0.07	0	16	13	16	13	D	6	6	H	SLM1DF02N1BC2	SLM1DF02N3BC2	
	2.0	0.13	0	13	10	13	10	D	6	6	H	SLM1DF02N1B02	SLM1DF02N3B02	
	2.5	0.17	0	10	6	10	6	D	6	6	H	SLM1DF02N1BC3	SLM1DF02N3BC3	

Configuration dimension chart



Sanlixin Solenoid Valve

SLW 2/2-way Direct Acting Small Type Solenoid Valve · Normally Closed

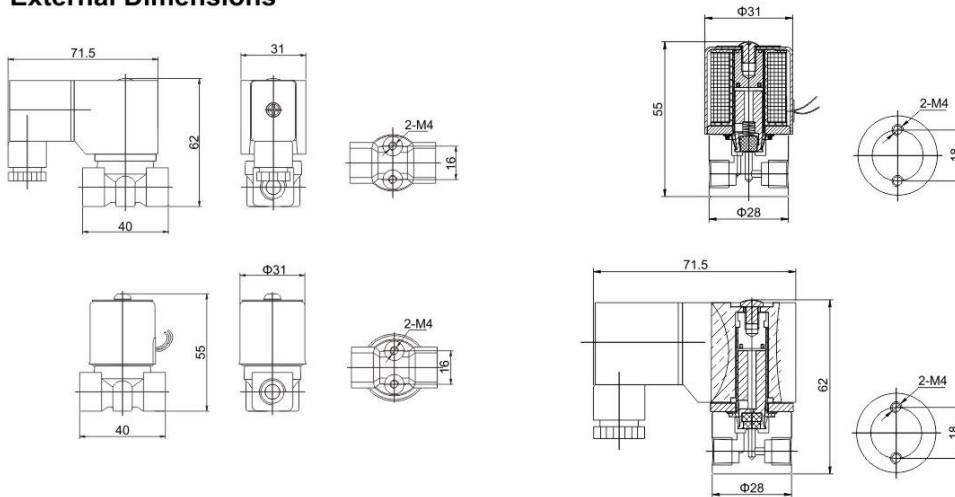
- SLW series normally closed
- Closed when de-energized open , open when energized
- Body material: Brass、Stainless steel、Plastic
- Response time: 10-20ms
- Seals: NBR or VITON or EPDM
- Media: pure water, air
- Max working pressure: 30 bar
- Fluid temp: 0-100 °C Ambient temp: -10~+40°C
- Voltage : AC220V 110V 24V 50/60HZ DC24V DC12V
- Flow as the arrow, mounts in any position;
best position is solenoid vertical and upright direction.



Solenoid Valves Model Numbering System for Order

	1	2	3	4	5	6	7	8	9	10
	Valve Series	Mode of Operation	Coil Type	Coil Class	voltage	Seal Material	Body Material	Pipe Size	Orifice (mm)	Options
E.G.	SLW	1	W	B	02	N	9	A	02	N
		1= Normally closed	D=DIN Standard Connections, Fully Encapsulated W: metallic housing Lead wires	F: F Class B: B Class	02=220VAC 01=110VAC 05=24VAC 13=DC24V 12=DC12V	N=NBR E=EPDM V=VITON	9= brass 5=S.S. 1= Froged brass 7= Plastic	A=1/8" M=M5 A=1/8" B=1/4" A=1/8" B=1/4"	C1=1.2 C2=1.5 C2=2.0 C3=2.5 C3=3.0 C3=2.5	N=NPT Connection

External Dimensions



Body 9、5

Sanlixin Solenoid Valve

SLW 2/2-way Direct Acting Small Type Solenoid Valve · Normally Closed

- SLW series 2/2-way solenoid valve, closed when de-energized, open when energized.
- Serialized products, small size, large flow rate.
- Body material: Brass / Plastic
- Open & closed response time: 6~20ms
- Seal material: NBR(standard) EPDM(100°C)
- Media: clean water, air
- Media temp.: 0~80°C Ambier temp.: -10°C~+40°C
- Voltage: AC220V 110V 24V 50/60HZ DC24V 12V
- Voltage tolerance: -10%~+10%

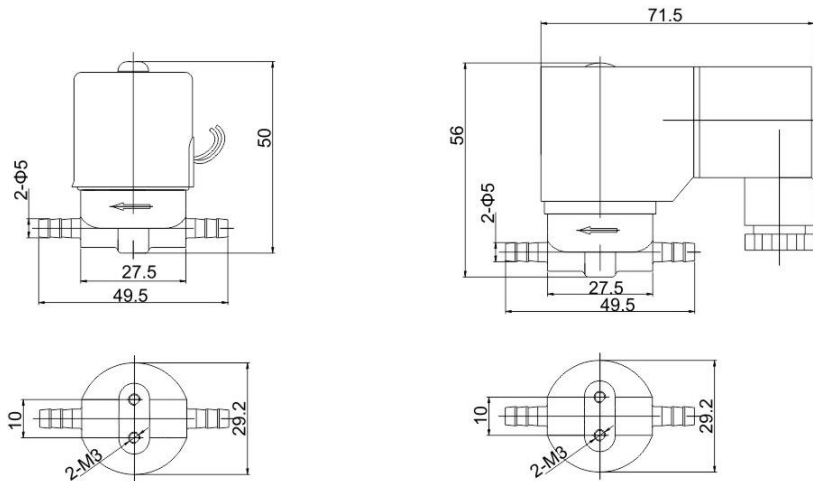


0.16kg

Solenoid Valve Numbering System for Order

	1	2	3	4	5	6	7	8	9
	Valve Series	Mode of Operation	Coil Type	Coils Class	Voltage	Seal Material	Body Material	Pipe Size	Orifice mm
E.G.	SLW	1	W	B	02	N	1	Y	02
		1= Normally Closed	W=Metallic Housing Lead Wires D=DIN Standard Connections, Fully Encapsulated	B: B Class F: F Class	02=220VAC 01=110VAC 05=AC24V 13=DC24V 12=DC12V	N=NBR E=EPDM V=VITON	1=Brass 7=Plastic	tube plug-type see picture	C2=1.5 02=2.0 C3=2.5 03=3.0

External Dimensions Chart



1 Plastic