

# SBD-A Timing Of Drainage Solenoid Valve

**Use:** Universal electronic drain valve in analog circuit solid match the solenoid valve, electronic timer implementation to the timing of condensed water from compressed air system auto emissions. Drying machine is widely used in filter separator gasholder dripping feet, compressed air system components, discharge time and interval time can be adjusted according to different needs

**Characteristic:**

- easy installation Automatic
- Time interval and discharge time can be adjusted with the test button
- Orifice size:3mm pressure:16bar
- Heat resistance level: H class Ip65
- Filter configuration ball valves, import and export into 90°C

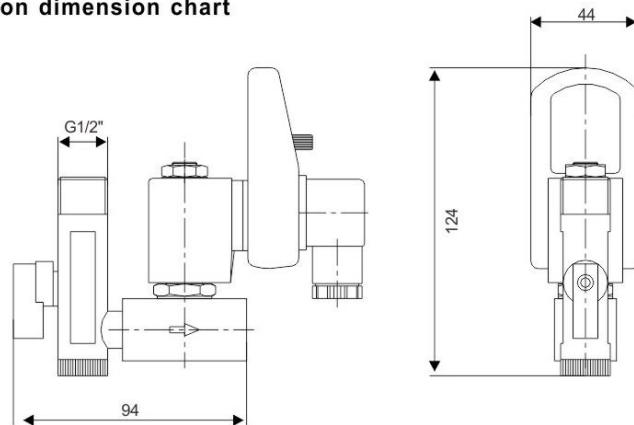


**Technology Parameters:**

TIMER	TIMER
Interval time ( OFF )	0.5~45min
Discharge time ( ON )	0.5 ~ 10sec
Voltage	24 ~ 240V AC/DC 50/60HZ
Power	22VA
Ambient temp	-10~+60°C
IP level	Ip65
Shell material	ABS
Connect	DIN43650A
Indicator light	Electric light

Solenoid valve	SBD-A
Type	2/2-Way direct acting
Pipe size	G1/4" 3/8" 1/2"
Working Pressure	0-16bar
Fluid temp	< 80°C
Orifice size	3mm
Body material	brass
Insulation level	H class
IP level	IP65
Voltage range	± 10%

**Configuration dimension chart**



# Sanlixin Solenoid Valve

## SBD-B Timing Of Drainage Solenoid Valve

**Use:** Universal electronic drain valve in analog circuit solid match the solenoid valve, electronic timer implementation to the timing of condensed water from compressed air system auto emissions. Drying machine is widely used in filter separator gasholder dripping feet, compressed air system components, discharge time and interval time can be adjusted according to different needs

**Characteristic:**

- easy installation Automatic
- Time interval and discharge time can be adjusted with the test button
- Orifice size:3mm pressure:16bar
- Heat resistance level: H class Ip65
- Filter configuration ball valves, import and export into 180°C

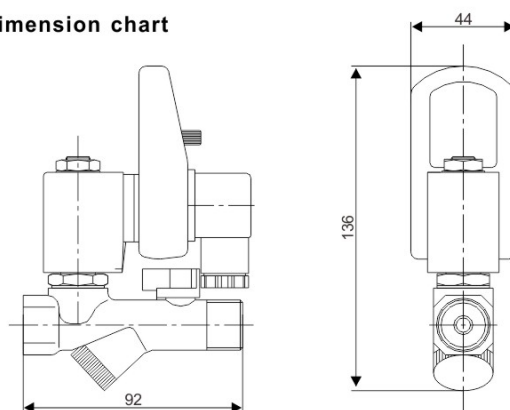


**Technology Parameters:**

TIMER	TIMER
Interval time ( OFF )	0.5~45min
Discharge time ( ON )	0.5 ~ 10sec
Voltage	24 ~ 240V AC/DC 50/60HZ
Power	22VA
Ambient temp	-10~+60°C
IP level	Ip65
Shell material	ABS
Connect	DIN43650A
Indicator light	Electric light

Solenoid valve	SBD-B
Type	2/2-Way direct acting
Pipe size	G1/2"
Working Pressure	0~16bar
Fluid temp	< 80°C
Orifice size	3mm
Body material	brass
Insulation level	H class
IP level	IP65
Voltage range	± 10%

**Configuration dimension chart**



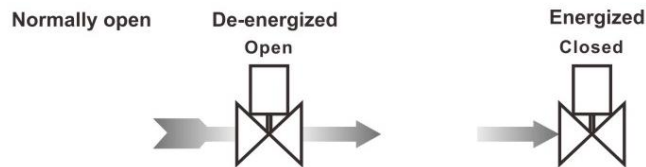
## SLP Compact Series 2/2-Way Direct Acting Solenoid Valve • Normally Open

- 1: 2-Way normally open solenoid valve, Open when de-energized, Closed when energized.
- 2: Serialized products, small in size, large flow rate, widely use
- 3: Body material: forged brass.316 stainless steel.
- 4: Ambient Temp. 0°C~65°C, Fluids Temp 0°C~130°C.
- 5: Flow as the arrow, mounts in any position; Best position is solenoid vertical and upright direction.
- 6: Voltage: 220VAC/230VAC/240VAC/110VAC/24VAC 50/60HZ 24VDC/12VDC;  
Voltage Tolerance: +10% to -10% applicable voltage can fix Nass coil
- 7: This series valves are offered NBR, VITON, EPDM etc  
For Seals and diaphragm to provide on-off control of various fluids.

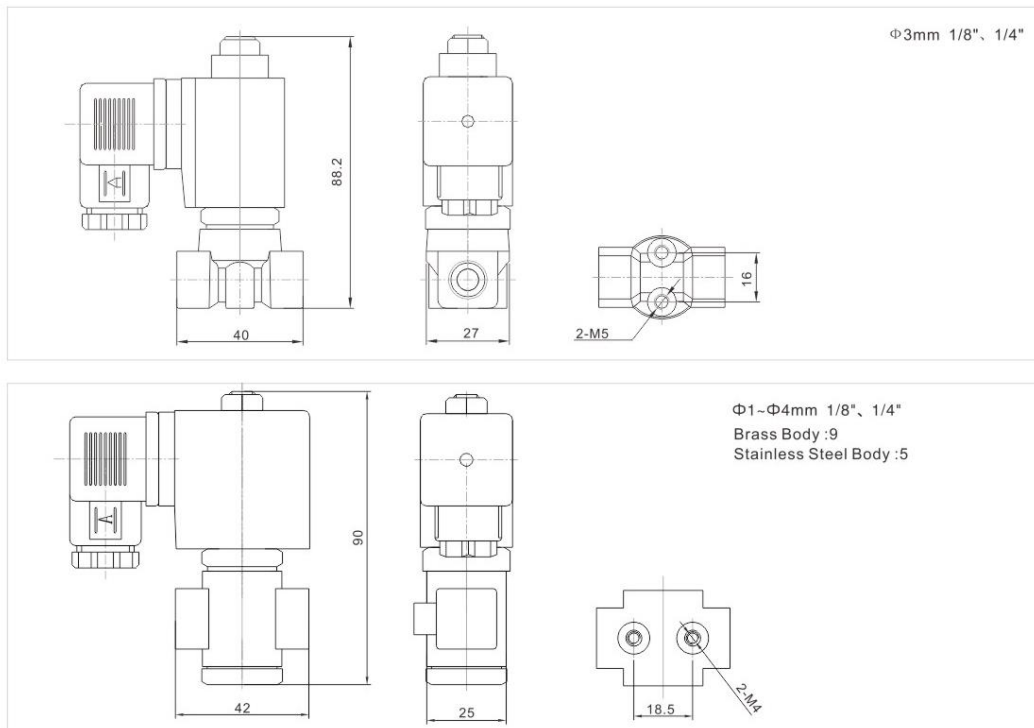


Body:9 & 5

Body:1 & 3



### Construction, External Dimensions Chart



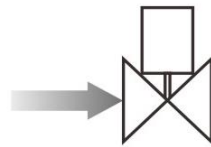
## SLP 2/2-Way Large diameter Pilot Operated Solenoid Valve • Normally Closed

- 1: 2-Way normally closed solenoid valve, Closed when de-energized, open when energized.
- 2: Serialized products, small in size, large flow rate, widely use
- 3: Body material: forged brass. Orifice:  $\phi$  13~15mm.
- 4: Ambient Temp. 0°C~65°C, Fluids Temp: 0°C~130°C, Max allowable pressure 20 bar.
- 5: Flow as the arrow, mounts in any position; Best position is solenoid vertical and upright direction.
- 6: Voltage: 220VAC/230VAC/240VAC/110VAC/24VAC 50/60HZ 24VDC/12VDC;  
Voltage Tolerance: +10% to -10% applicable voltage
- 7: This series valves are offered NBR, VITON, EPDM etc  
For Seals and diaphragm to provide on-off control of various fluids.
- 8: Can fix explosion-proof coil
- 9: Coil can fix SM Coil. AC 220V/AC110V/AC24V/DC24V

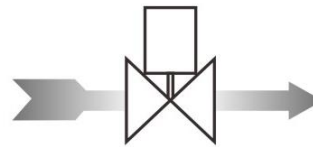


Normally closed

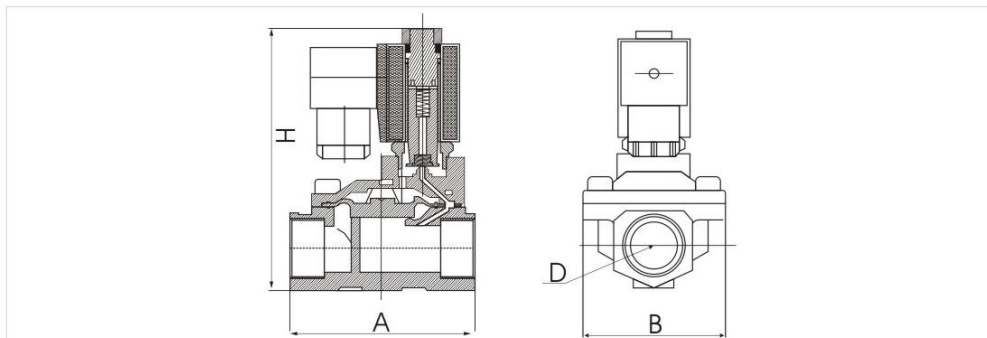
De-energized  
Closed



Energized  
Open



### Construction, External Dimensions Chart



### Flow Chart

